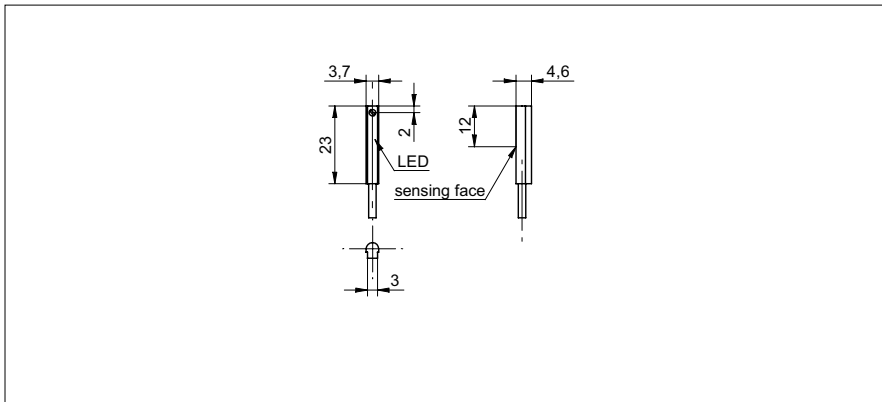


**Magnetic cylinder sensors**

**MZCK 03P1011**

**dimension drawing**



**general data**

type	magneto-resistive
version	C-slots
nominal operation point	4 mT
difference ON-OFF	0,5 ... 1,5 mT
output indicator	LED yellow

**electrical data**

switching frequency	< 200 kHz
response time / release time	< 0,0025 ms
output circuit	PNP
current consumption max. (no load)	12 mA
output current	< 200 mA
voltage supply range +Vs	6 ... 30 VDC
output function	normally open (NO)
voltage drop Vd	< 1 VDC
reverse polarity protection	yes
short circuit protection	yes

**mechanical data**

cable output	axial
connection types	cable PUR 3 x 0,08, 2,5 m
type	rectangular
depth	23 mm
width / diameter	3,7 mm
height / length	4,6 mm
housing material	PA66

**ambient conditions**

operating temperature	-40 ... +70 °C
protection class	IP 67

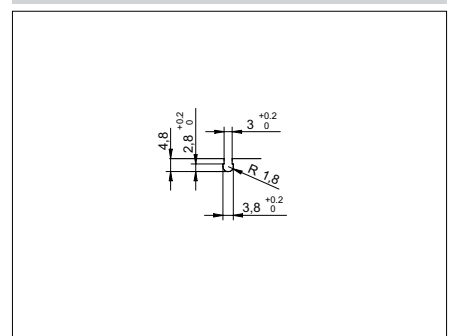
**photo**



**connection diagram**



**installation drawing**



• Oil- and salt water climate resistant